

## 2J6041BGF

### CELLULAR/LTE and GNSS Screw Mount

#### Key Features

##### Cable 1: CELLULAR / LTE

- 698-960 MHz
- 1710-2170 MHz
- 2500-2700 MHz

##### Cable 2: GPS/GLONASS/QZSS/Galileo

- 1575-1606 MHz

Screw Mount

Ground Plane Independent

Customizable Cable and Connector

Dimensions 80 x 74 x 14.7 mm

Certificates: IP67



**Note:** 19mm Thread is Default Option. See Drawing for other Thread Options available.



## 1. Antenna and electrical specifications

**Cable 1**

Parameters	CELLULAR / LTE Antenna		
<b>Standards</b>	2G,3G and 4G		
<b>Band (MHz)</b>	700/850/900	1700/1800/1900/2100	2600
<b>Frequency (MHz)</b>	698-960	1710-2170	2500-2700
<b>Return Loss (dB)</b>	~-7.5	~-12.6	~-6.4
<b>VSWR</b>	~2.6:1	~1.8:1	~2.9:1
<b>Efficiency (%)</b>	~40.7	~47.5	~18.3
<b>Peak Gain (dBi)</b>	~1.8	~5.0	~-0.1
<b>Average Gain (dB)</b>	~-3.9	~-3.3	~-7.4
<b>Impedance (Ohm)</b>	50		
<b>Polarisation</b>	Linear		
<b>Radiation Pattern</b>	Omni-Directional		
<b>Max. Input Power (W)</b>	25		
<b>Connector Type</b>	SMA-Male Standard (Other Connectors Available)		
<b>Cable Length</b>	300 cm Standard (Any Cable Length Available)		
<b>Cable Type</b>	DACAR302 Standard (Other Cables Available)		

**Cable 2**

Parameters	GPS/GLONASS Antenna	
<b>Standard</b>	GPS/QZSS/Galileo	GLONASS
<b>Band (MHz)</b>	1575	1602
<b>Frequency(MHz)</b>	1575.42	1598-1606
<b>Patch Size (mm)</b>	25 x 25 x 4	
<b>Return Loss (dB)</b>	<=-15.0 dB	
<b>VSWR</b>	<=1.4:1 dB	
<b>Impedance</b>	50	
<b>Radiation Pattern</b>	Hemispherical	
<b>Polarization</b>	RHCP	
<b>Saw Filter</b>	Pre-filter	
<b>Active Gain (dB)</b>	28 @ 2.7 V	
<b>Noise Figure (dB)</b>	1.5 Typ	
<b>Voltage (V)</b>	1.5 – 3.6	
<b>Current (mA)</b>	9 Typ	
<b>Power Consumption (mW)</b>	24.3 Typ	
<b>ESD Protection (kV)</b>	2kV	
<b>Connector Type</b>	SMA-Male Standard (Other Connectors Available)	
<b>Cable Length</b>	300 cm Standard (Any Cable Length Available)	
<b>Cable Type</b>	LL100 Standard (Other Cables Available)	

**Antenna Measurement Conditions:**

Mounted on 30 x 30 x 0.25 cm ABS Plate

200 cm of Cable DACAR302

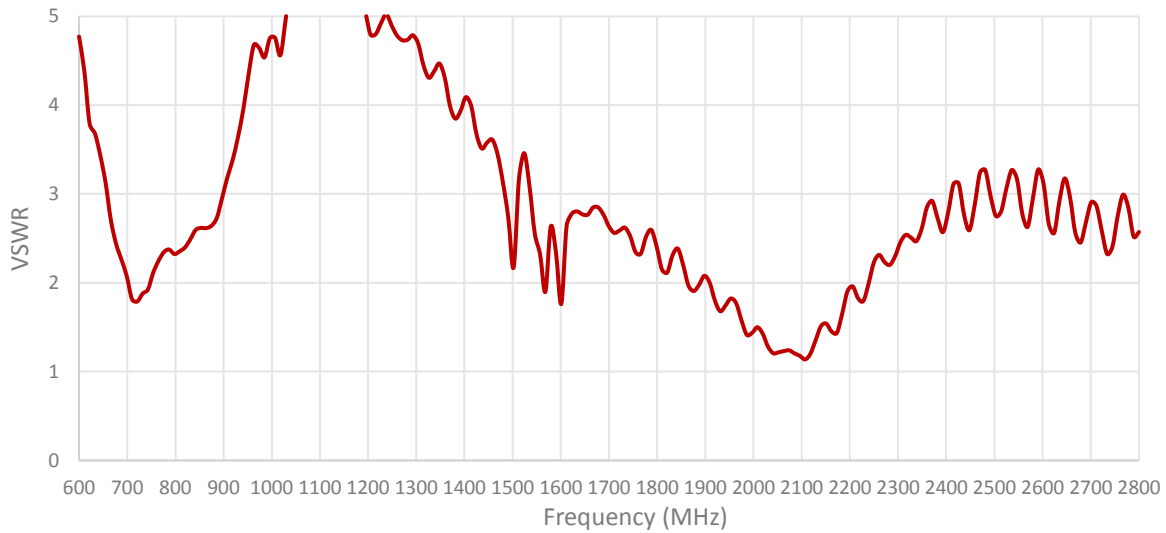
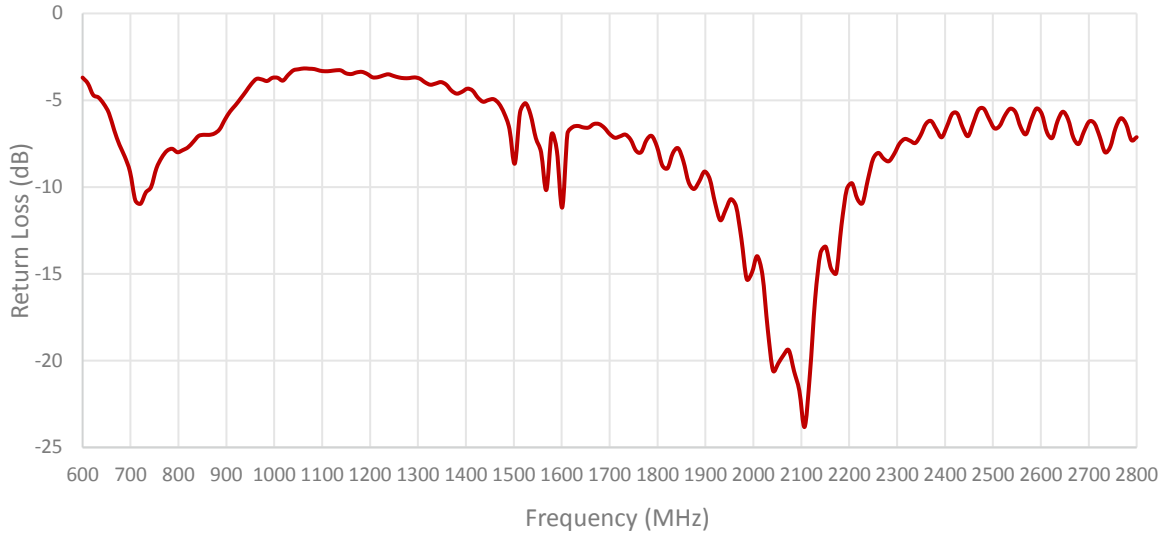
Measured in Certified CTIA 3D Anechoic Chamber

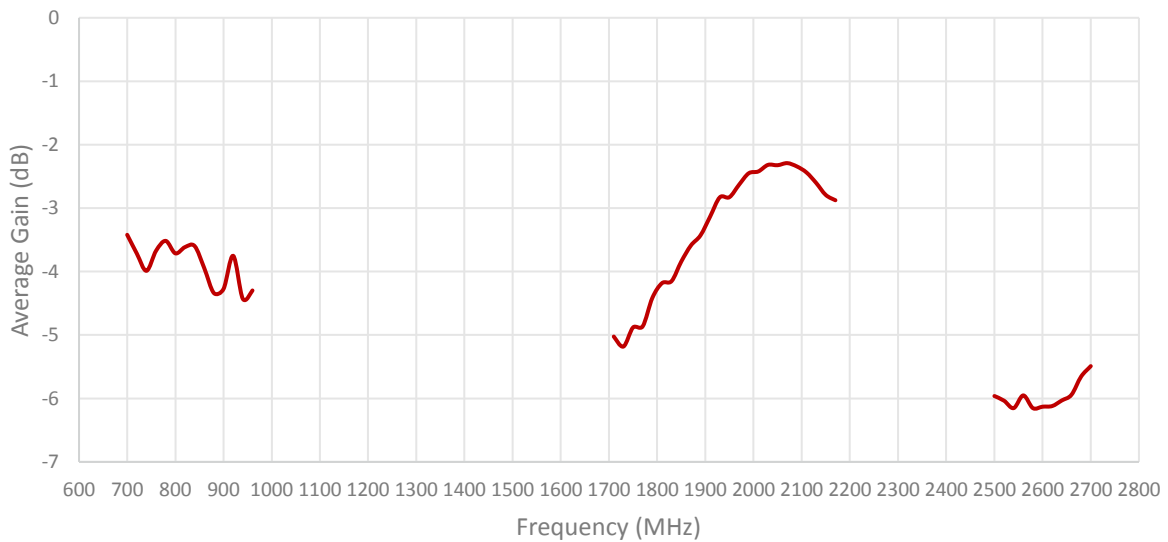
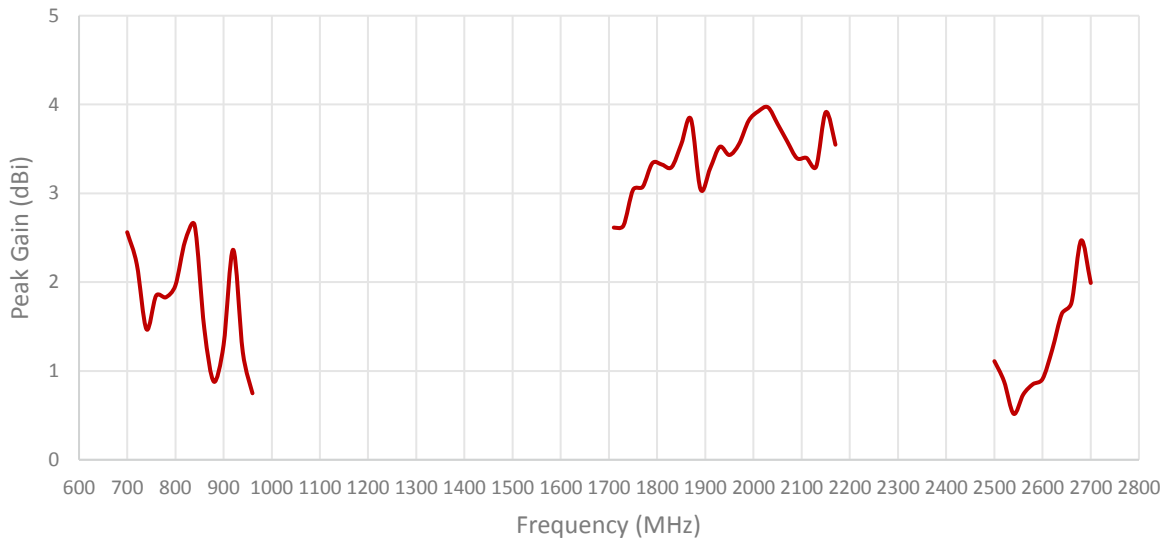
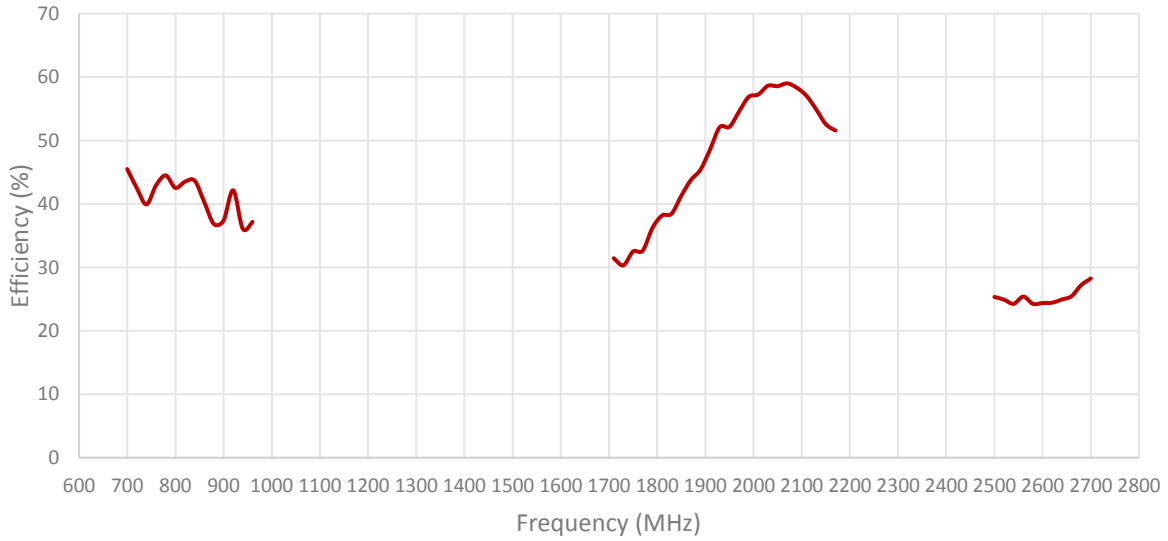
## 2. Mechanical and environmental specifications

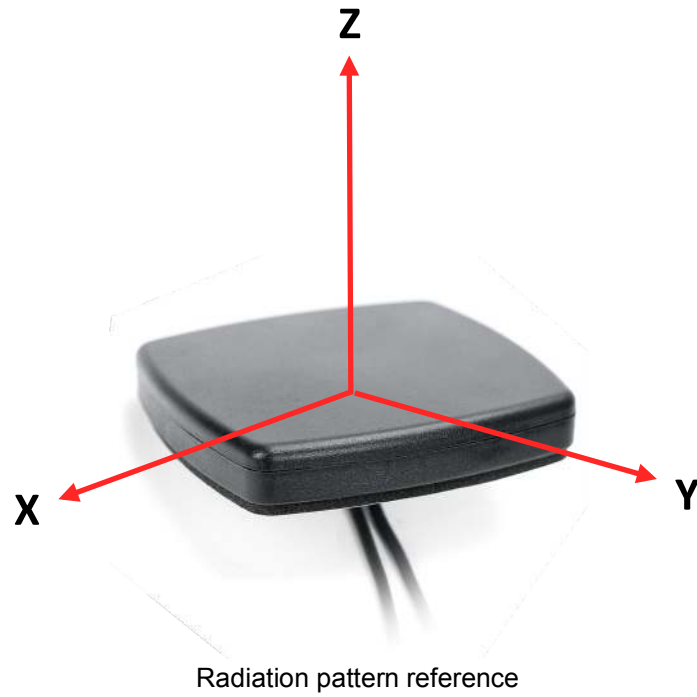
Specifications	2J6041BGF
<b>Mounting Type</b>	Screw Mount
<b>Dimensions (mm)</b>	80 x 74 x 14.7
<b>Max. Tighten Torque (Nm)</b>	5 Nm
<b>Radome</b>	ABS
<b>Radome color</b>	Black
<b>Operating Temperature (C)</b>	-40 to +85
<b>Storage Temperature (C)</b>	-40 to +85
<b>Substance Compliance</b>	RoHS
<b>Certificates</b>	IP67

### 3. Antenna parameters

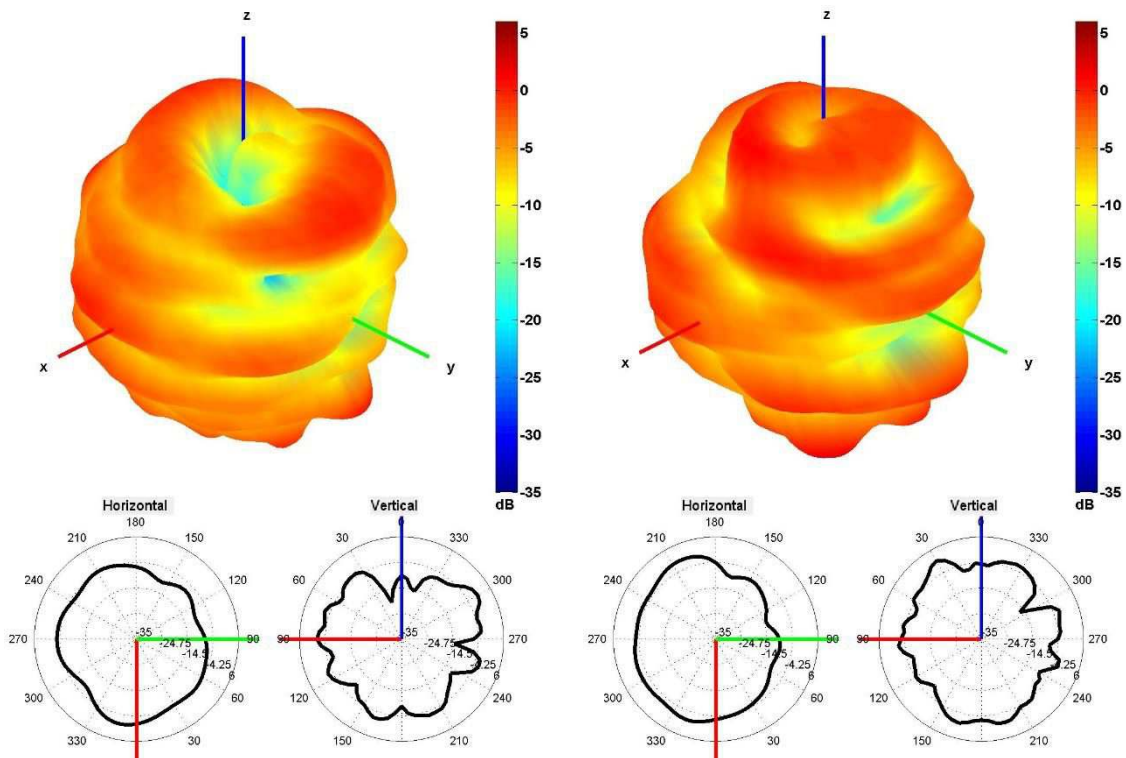
**Table 1: CELLULAR/LTE**



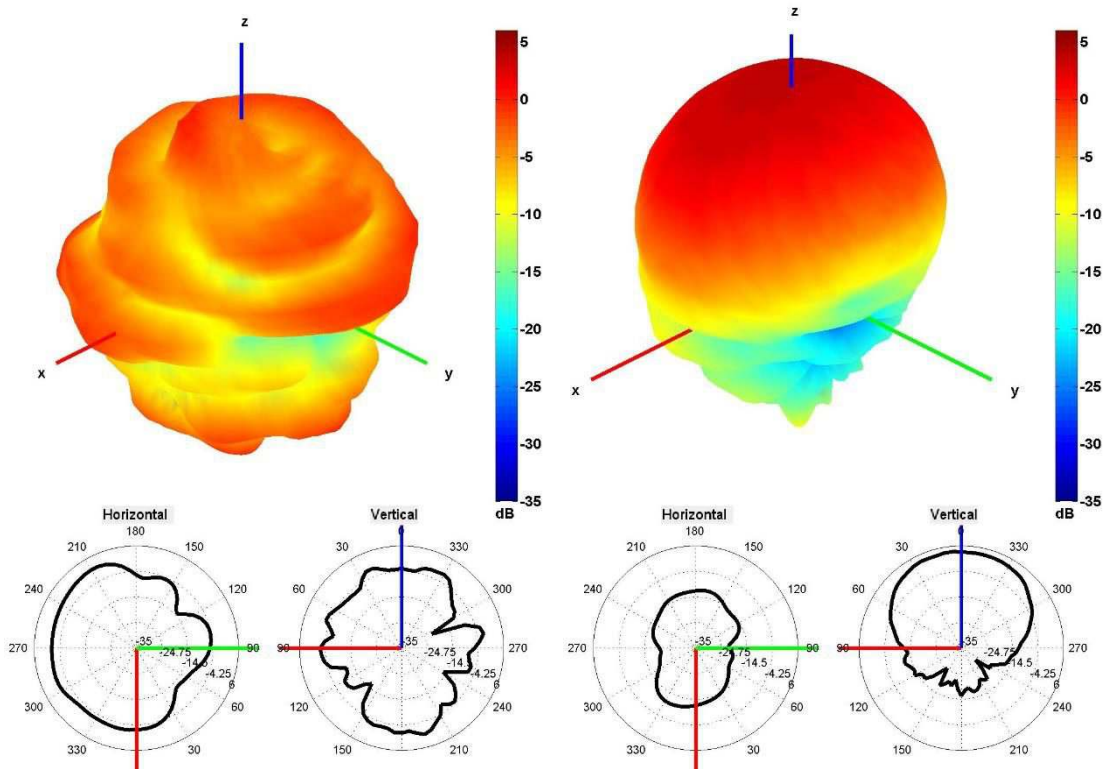




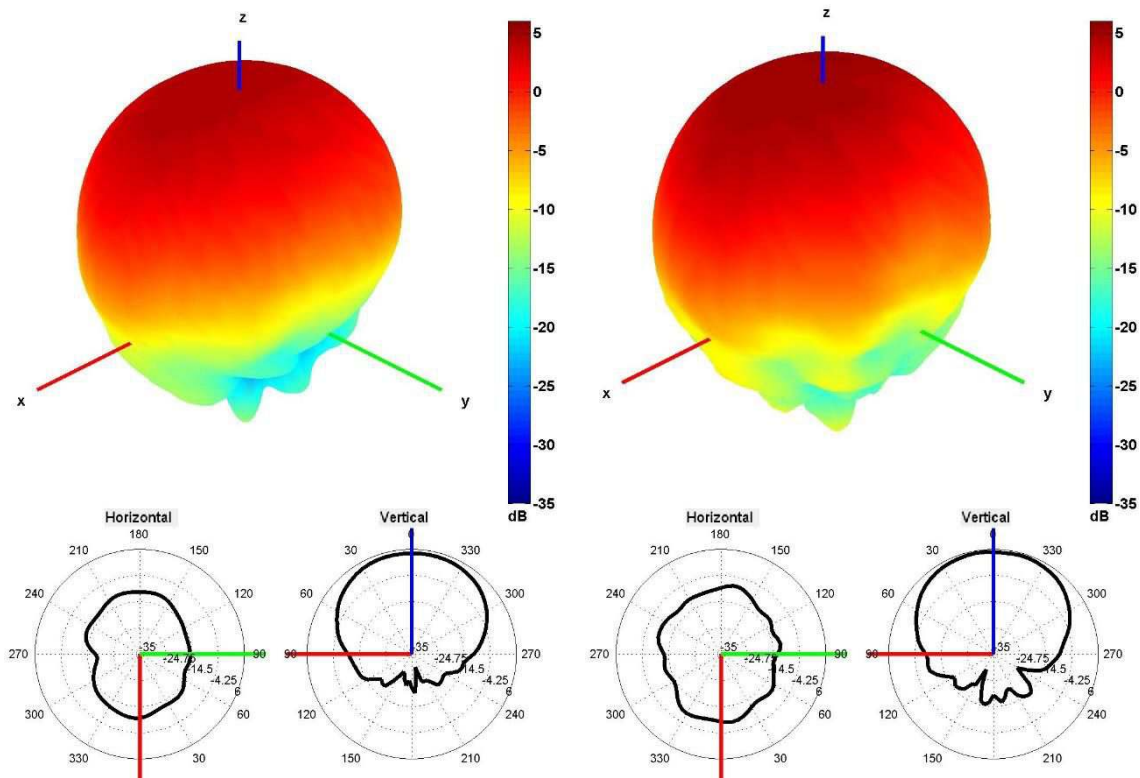
Cable 1: CELLULAR/LTE



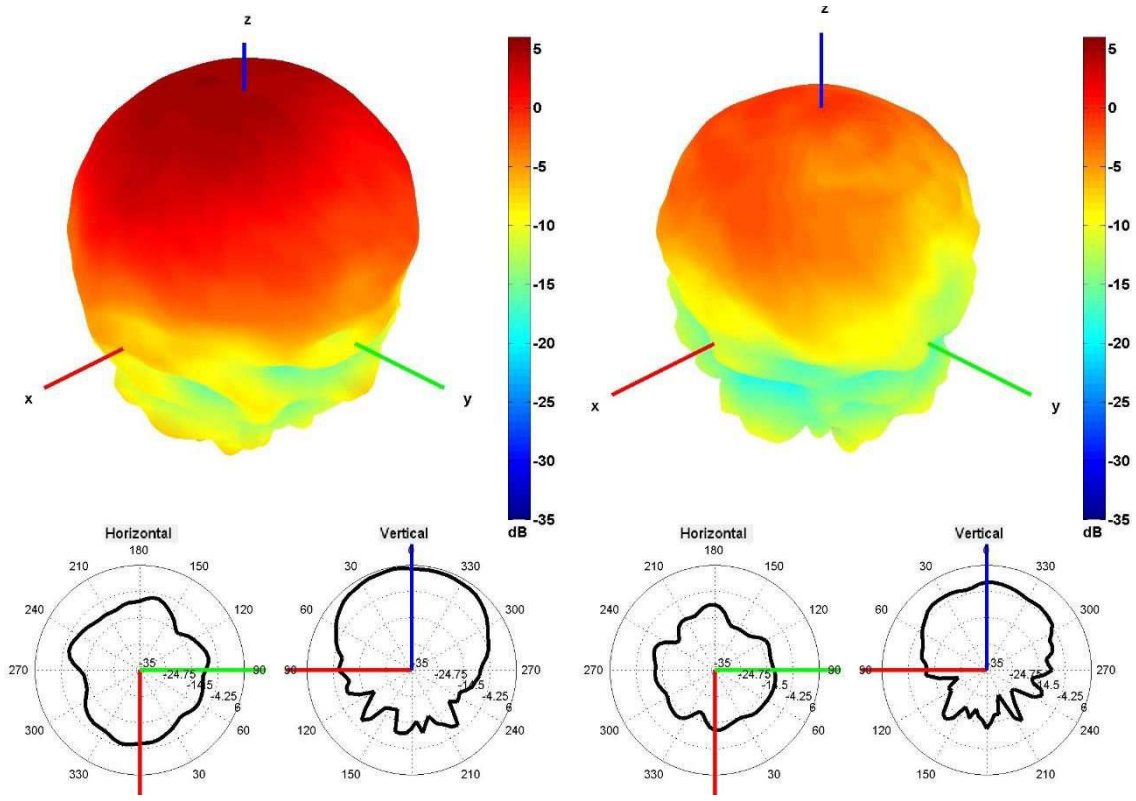
750 and 850 MHz Radiation pattern



940 and 1750 MHz Radiation pattern



1850 and 1950 MHz Radiation pattern

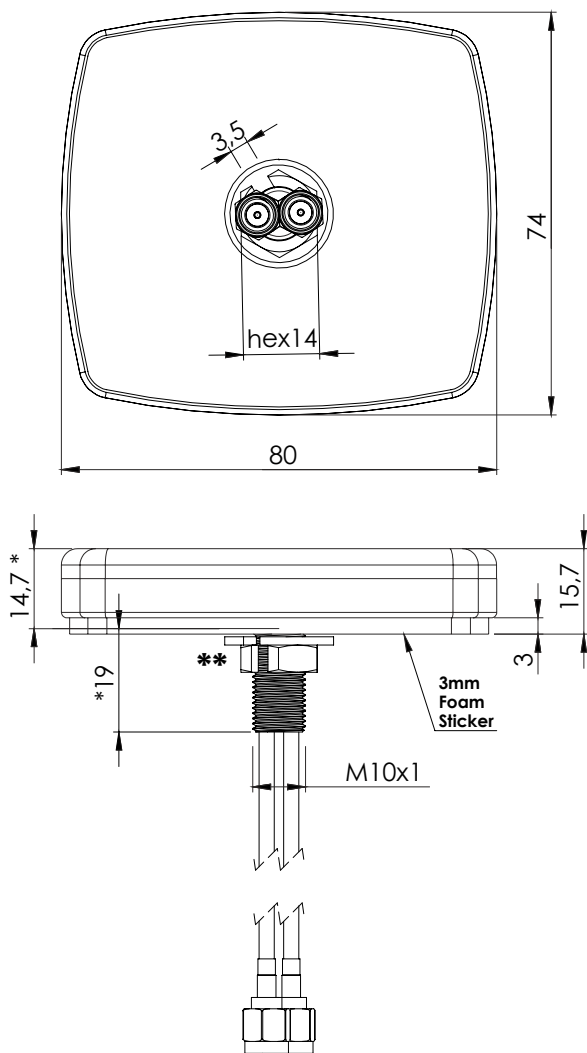


2100 and 2600 MHz Radiation pattern



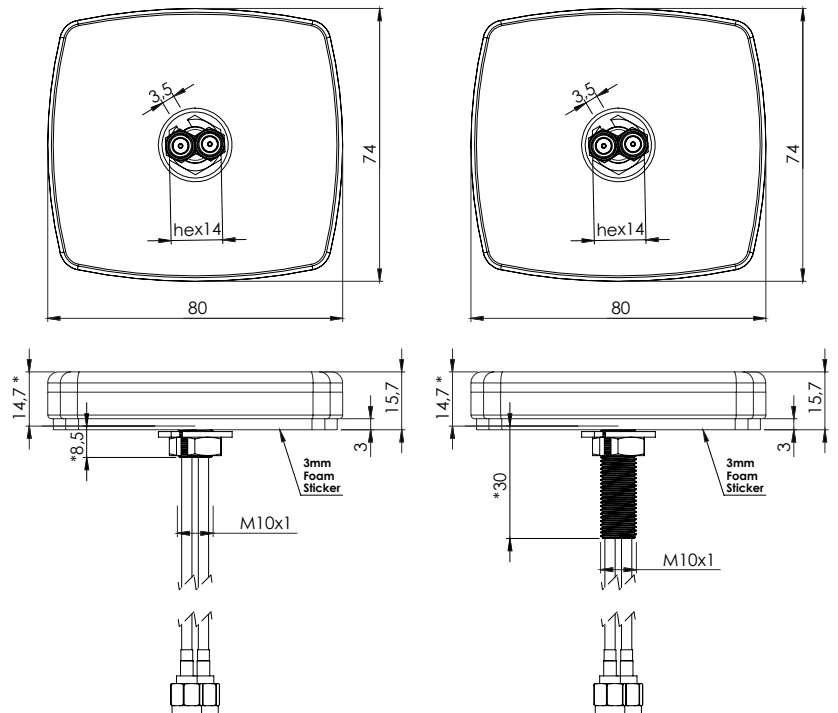
## 4. Antenna drawings

### Default Thread Option



**2J6041BGF-TH19**  
19 mm Thread  
Default Option

### Other Thread Options available



**2J6041BGF-TH8,5**  
8,5 mm Thread

**2J6041BGF-TH30**  
30 mm Thread

**\*Dimensions after mounting**  
**\*\*Max. Torque= 5 Nm**

## 5. Antenna Images

