

2JCP2540101a

GNSS Ceramic Thru-Hole Mount

Key Features

GPS/QZSS/Galileo

- 1575 MHz

Thru-Hole Mount

High Gain

Ground Plane Dependent

Dimensions 25 x 25 x 4 mm

Please check our Development Kit

2JDK0201a-A28



1. Antenna and electrical specifications

Parameters	GNSS Ceramic Thru-Hole Mount Antenna
Standards	GPS/QZSS/Galileo
Bands (MHz)	1575
Frequency (MHz)	1575.42
Return Loss (dB)	~-25.0
VSWR	~1.1:1
Efficiency (%)	~69
Peak Gain (dBiC)	~3.9
Average Gain (dB)	~-1.6
Impedance (Ohms)	50
Radiation Pattern	Hemispherical
Axial Ratio (dB)	3 max
Polarization	RHCP

Antenna Measurement Conditions:

Free Space

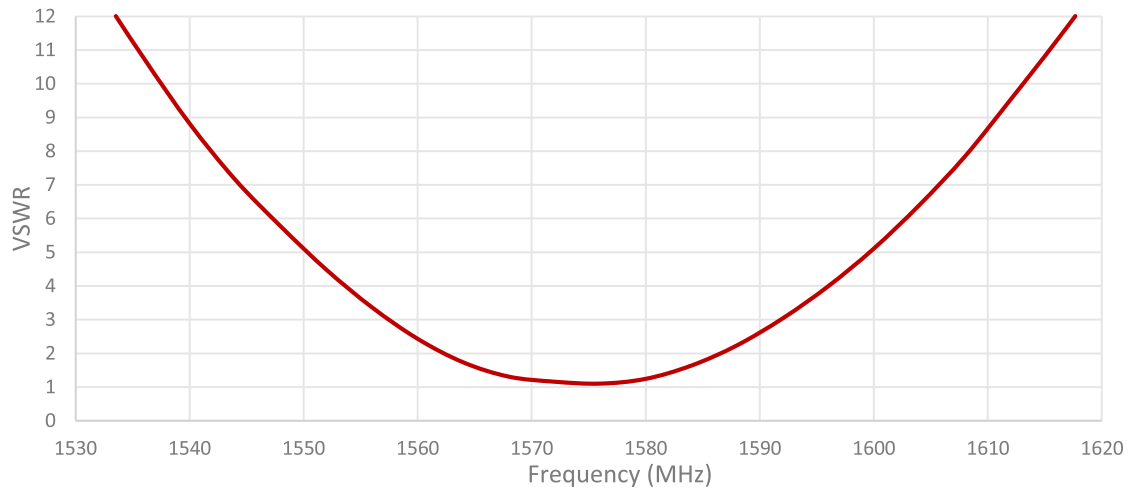
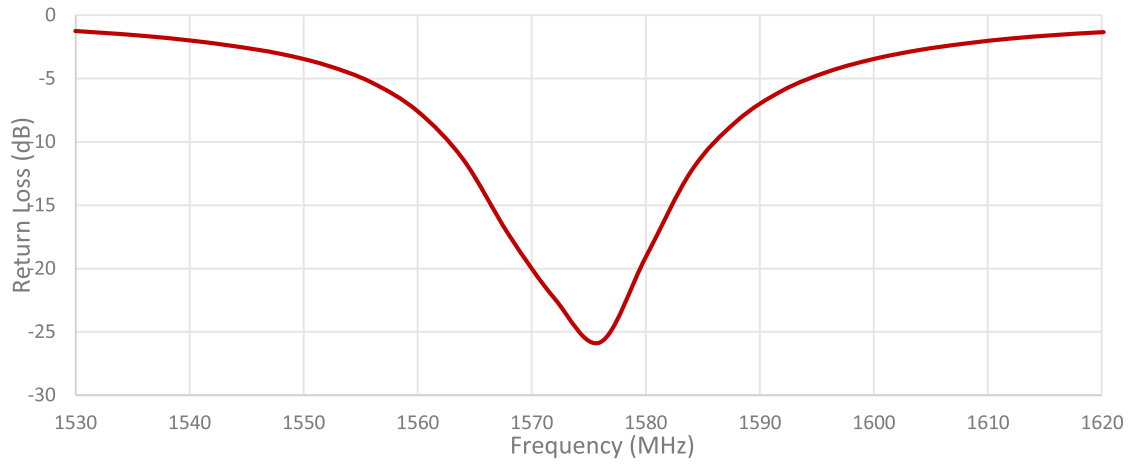
Mounted on Ground Plane of 70 x 70 mm

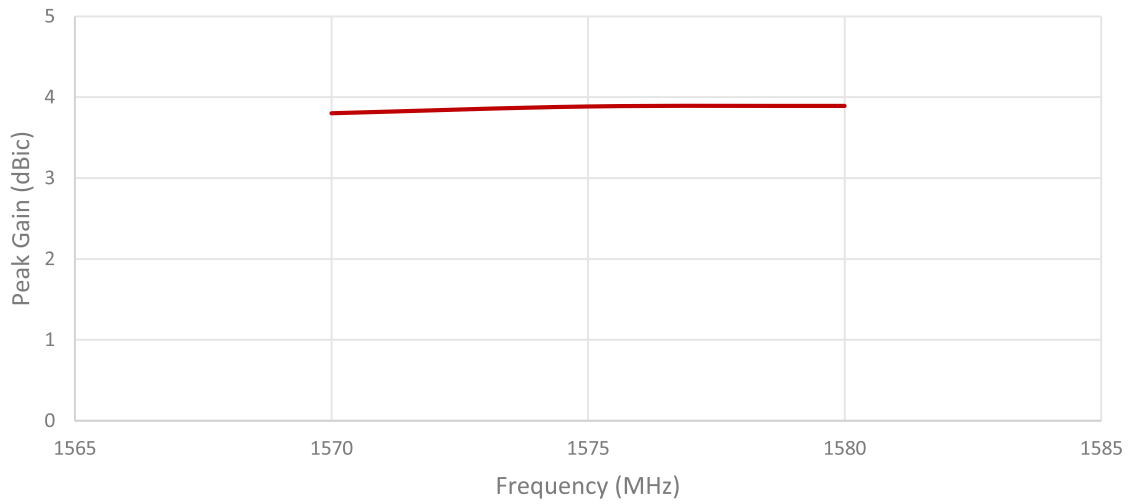
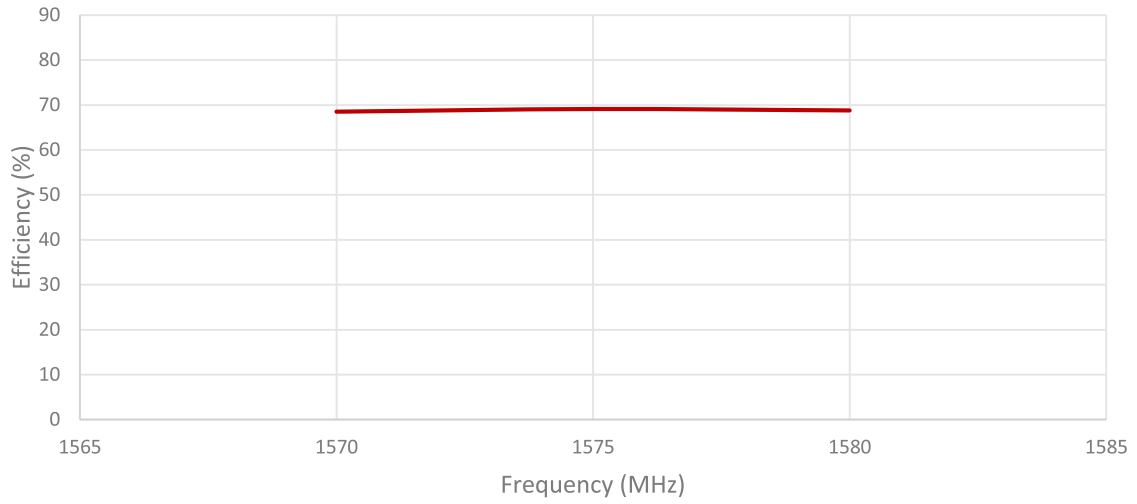
Measured in Certified CTIA 3D Anechoic Chamber

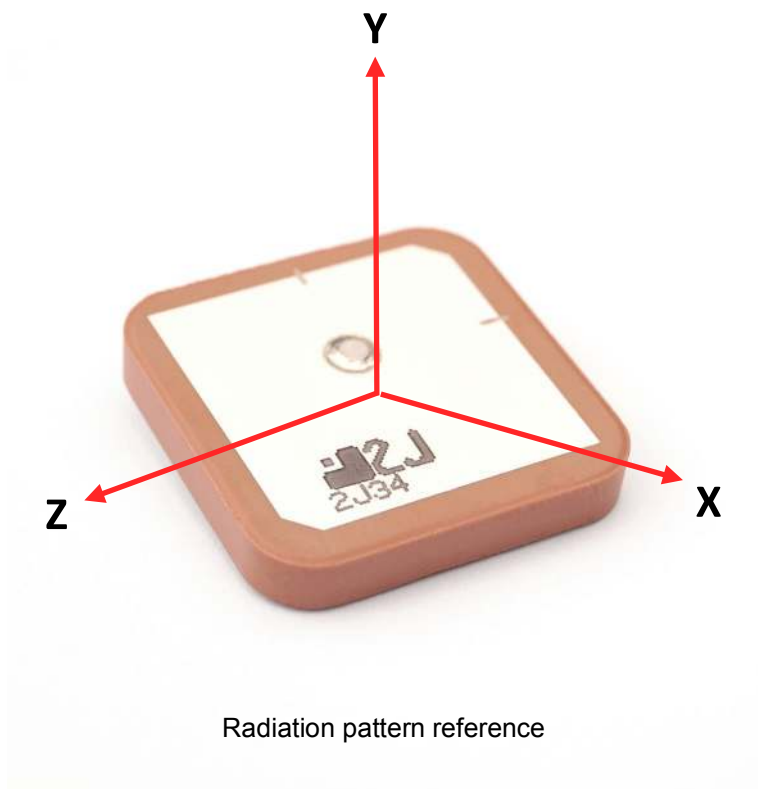
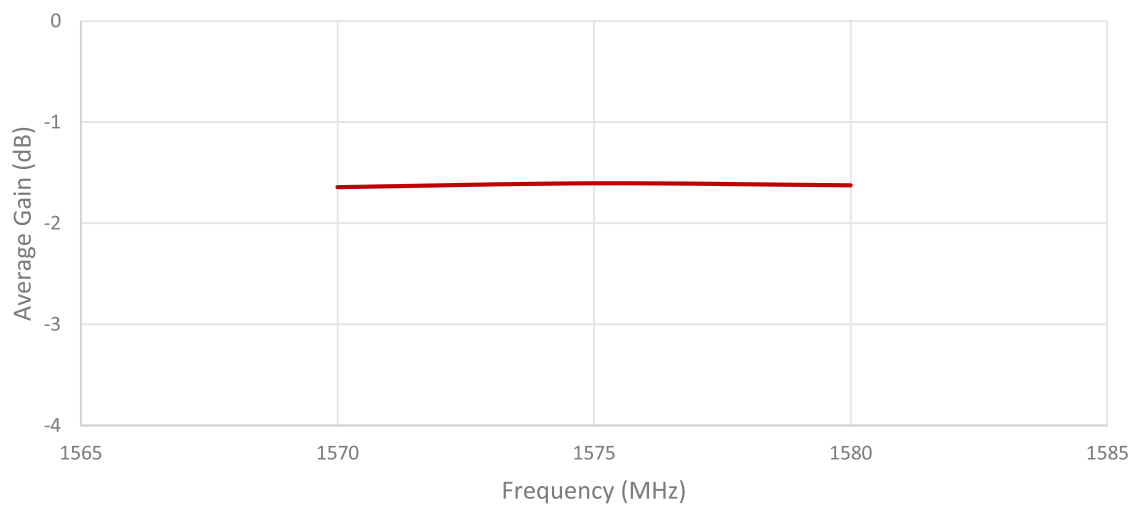
2. Mechanical and environmental specifications

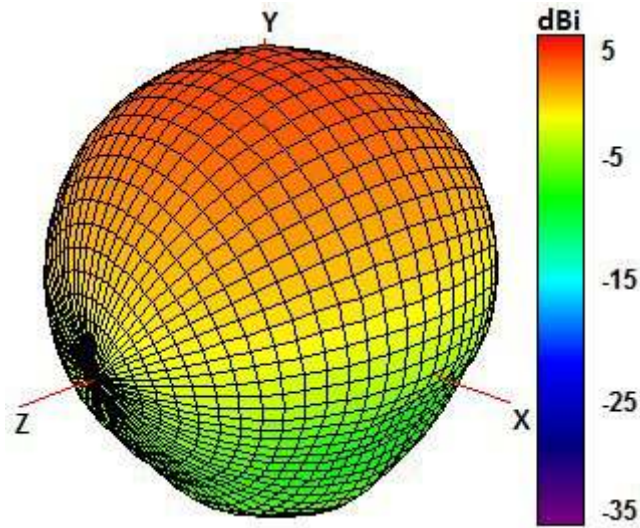
Specifications	2JCP2540101a
Mounting Type	Thru-Hole Mount
Adhesive	Nitto 5000NS
Dimensions (mm)	25 x 25 x 4
Operating Temperature (C)	-40 to +85
Storage Temperature (C)	-40 to +85
Substance Compliance	RoHS

3. Antenna parameters



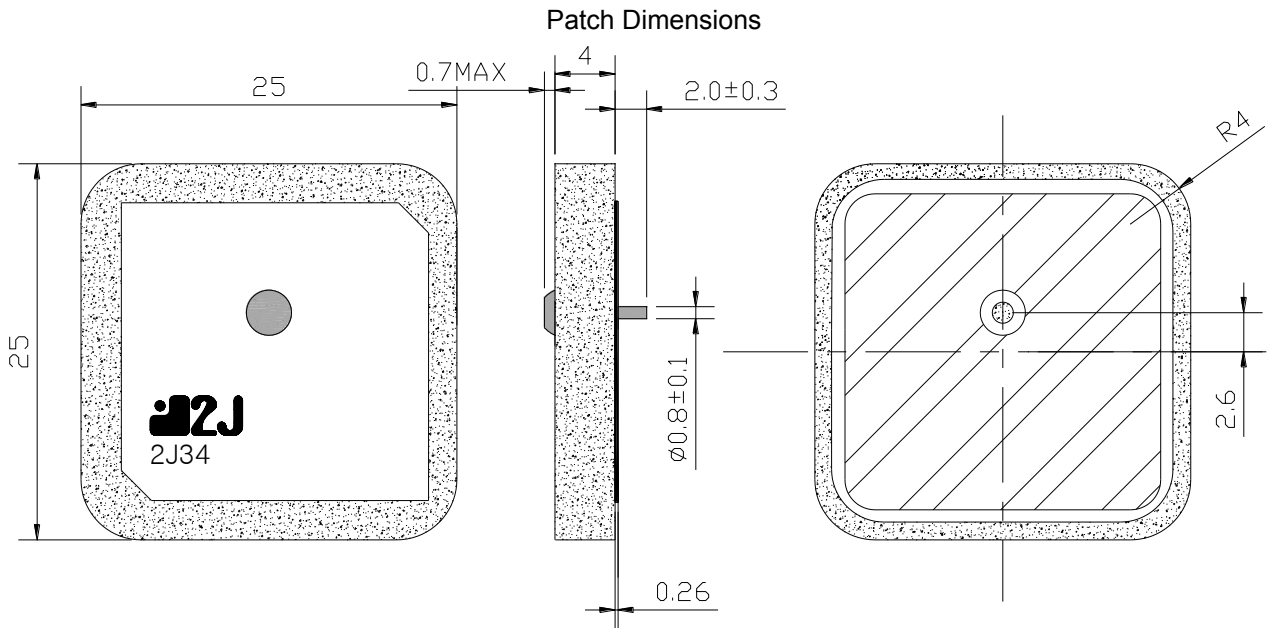




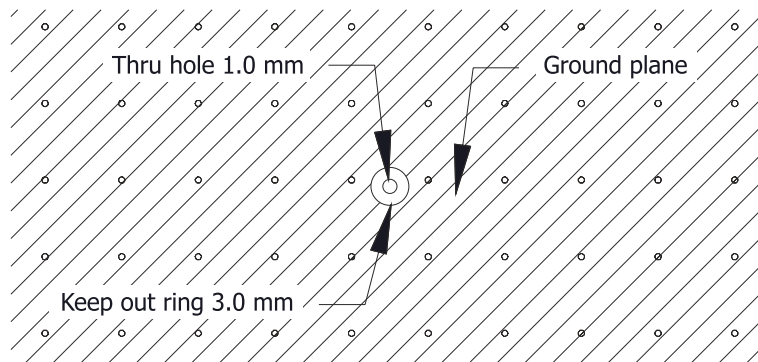


1575 MHz Radiation pattern

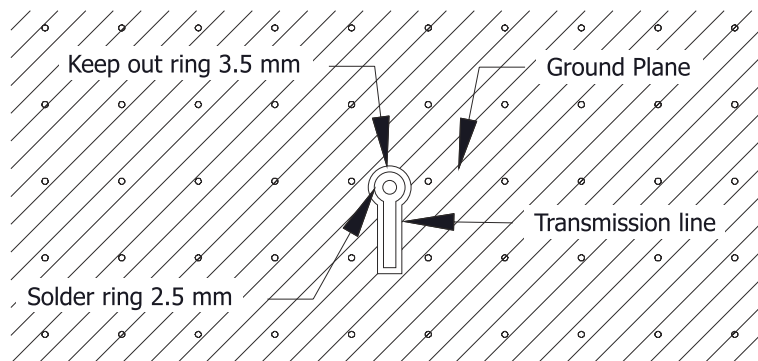
4. Antenna drawings



Layout for top layer



Layout for bottom layer



5. Antenna Images

