

## 2JM0301F

### GNSS Ceramic Active Antenna

#### Key Features

GPS/QZSS/Galileo

- 1575 MHz

Embedded Antenna

14 dB Gain

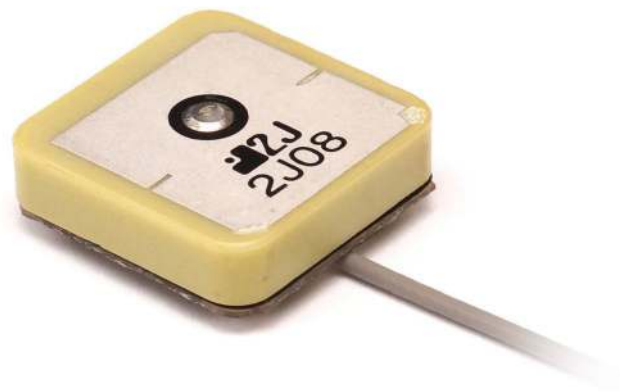
Pre-Filter

Low Noise Figure

Low Power Consumption

Ground Plane Independent

Dimensions 18 x 18 x 6.8 mm



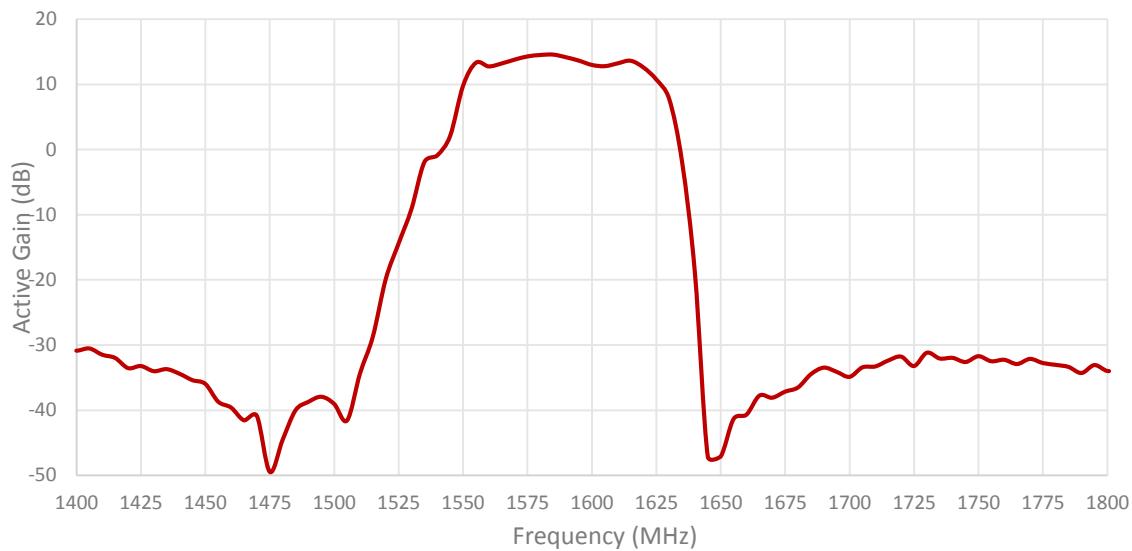
## 1. Antenna and electrical specifications

| Parameters                 | GNSS Ceramic Active Antenna                         |
|----------------------------|---|
| Standards                  | GPS/QZSS/Galileo                                    |
| Bands (MHz)                | 1575  |
| Frequency (MHz)            | 1575.42   |
| Passive Gain (dBi)         | ~3.6  |
| Impedance (Ohms)           | 50  |
| Radiation Pattern          | Hemispherical                                       |
| Voltage Range (V)          | 1.5 - 3.6   |
| Active Gain (dB)           | 14 @ 2.7 V  |
| Noise Figure (dB)          | 1.5 @ 2.7 V   |
| Current Consumption (mA)   | 4 @ 2.7 V   |
| Power Consumption (mW)     | 10.8 @ 2.7 V  |
| Saw Filter Type            | Pre-Filter  |
| Out of Band Rejection (dB) | 43  |
| ESD Protection (kV)        | 6   |
| Connector Type             | U.FL Standard (Other Connectors Available)          |
| Cable Length               | 100 mm Standard (Any Cable Length Available)        |
| Cable Type                 | 1.37 mm Mini-Coax Standard (Other Cables Available) |

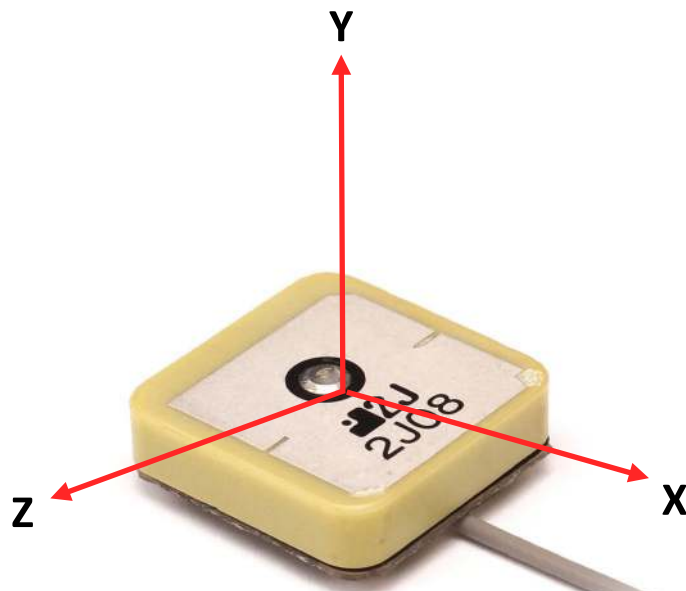
## 2. Mechanical and environmental specifications

| Specifications            | 2JM0301F      |
|---------------------------|---------------|
| Dimensions (mm)           | 18 × 18 × 6.8 |
| Operating Temperature (C) | -40 to +85    |
| Storage Temperature (C)   | -40 to +85    |
| Substance Compliance      | RoHS          |

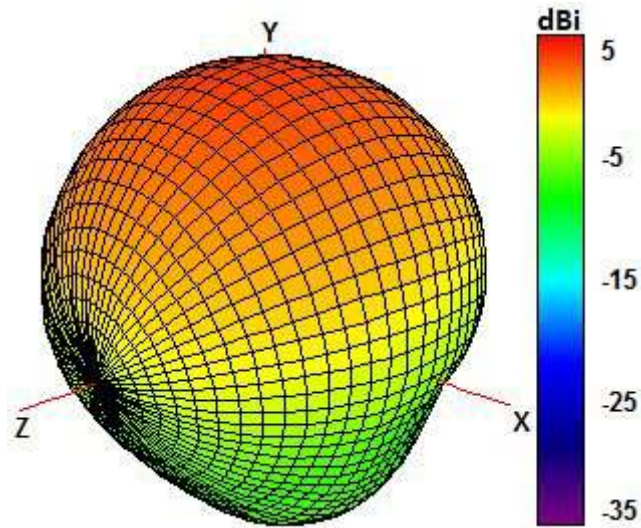
### 3. Antenna parameters



\* Measured at 2.7 V

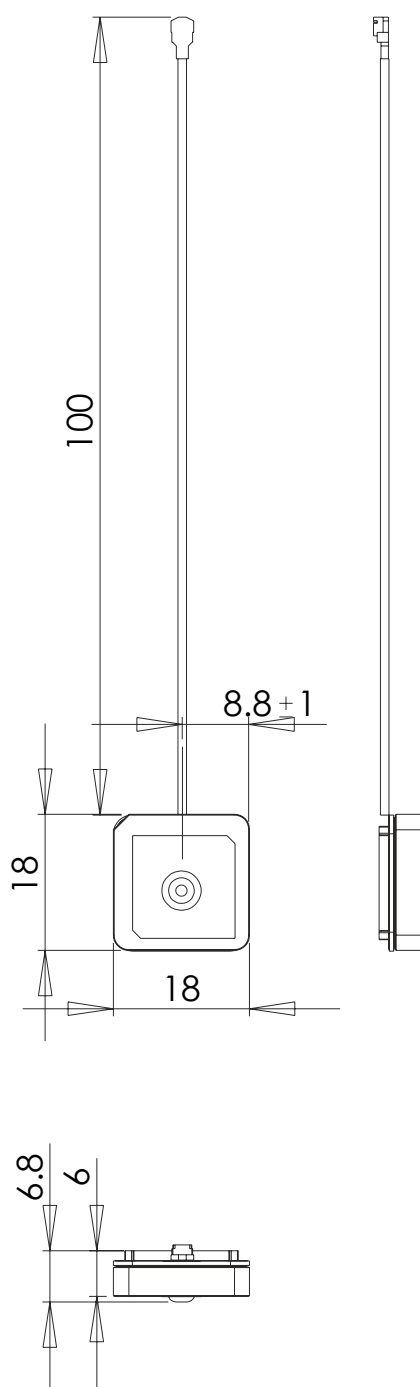


Radiation pattern reference



1575 MHz Radiation pattern

## 4. Antenna drawings



## 5. Antenna Images

